



Product Datasheet

MRC-1

Elster V100 Compatible Transmitter

MRC-1 is a low-cost, low-power transmitter designed specifically for use with Elster's V100 water meter which is used in the majority of domestic dwellings in Australia.

Communicating with Taggle receivers, data can be collected over a wide geographical area. Typical ranges of more than 2km in urban and 5km in rural areas depending on installation and local geography are achievable.

MRC-1 is fitted with a Hall Effect sensor that out-performs the more widely used T-Probe or reed switch sensors, defeating the jitter sometimes experienced with reed switches.

Designed primarily for Automatic Meter Reading (AMR) applications.



Technical Details

General

Dimensions (approx.) 89mm (L) x 88mm (W) x 88mm (D)

Weight (approx) 210g

Enclosure Material Ultramid®

Environmental

Ingress Protection IP68

Operating Temperature -10° C to 60° C
(Average temperature not to exceed 30°C)

Battery

Type Lithium Thionyl Chloride (non-replaceable)

Voltage 3.6V

Life 12 years+
(1 transmission/hour)

Transmitter

Type Taggle Byron A31

Operating Frequency 922MHz

Signal Type Direct Sequence Spread Spectrum

Licence ACMA LIPD Class
(Low Interference Potential Device)

Operating Range Ranges of more than 2km - 5km in urban and 5km - 50km in rural areas are regularly achieved. Ranges actually achieved will depend on local installation conditions and geography.

Taggle produces a variety of devices with low and high power output which provides us with great flexibility in addressing range issues in the most economical way.

Input

Type Magnetic Pulse
(Hall effect sensor)

Maximum Pulse Rate 6kHz

Taggle Systems Pty Ltd

Level 3, 189 Kent Street, Sydney, NSW 2000

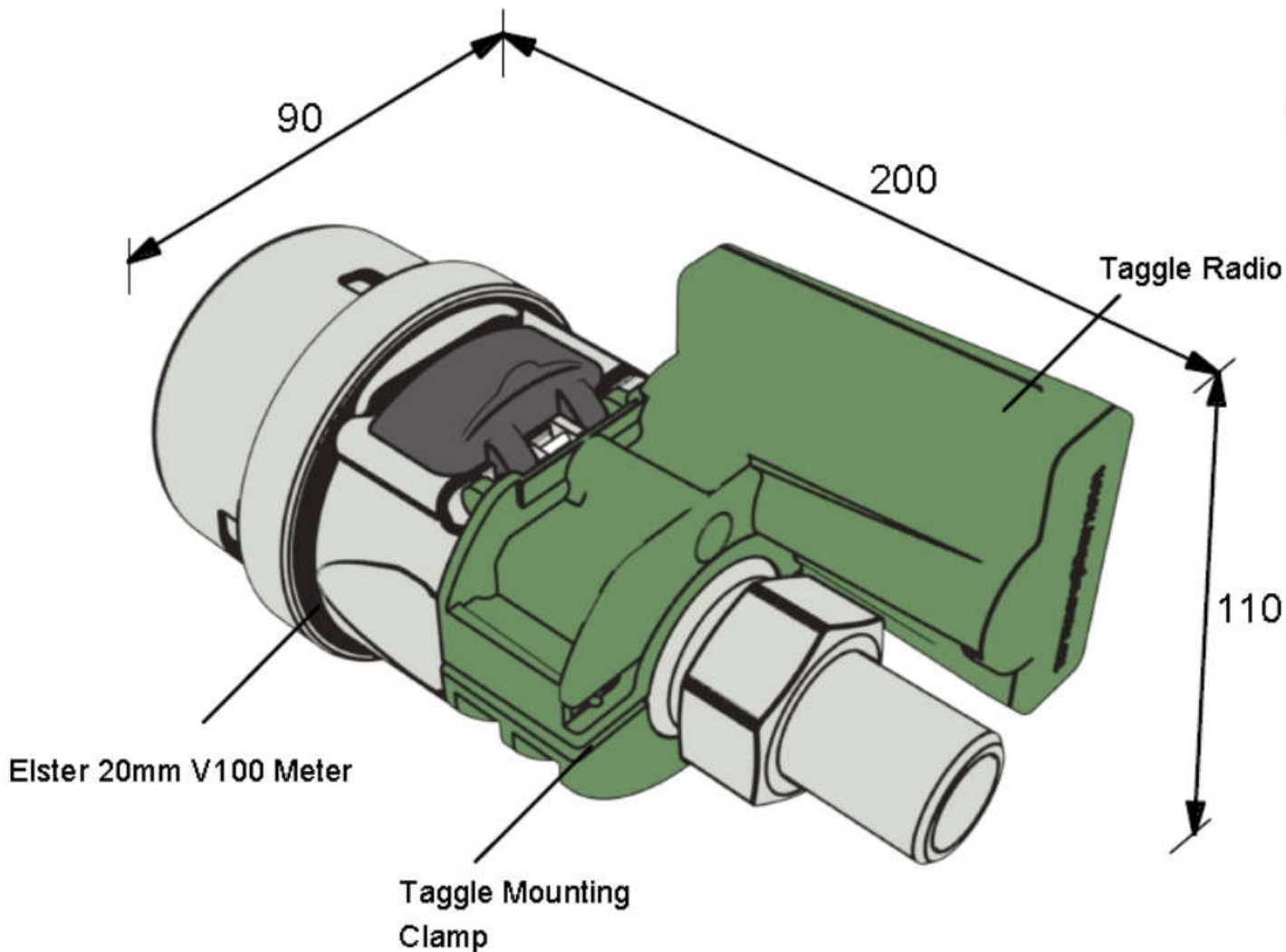
Telephone: +61 2 8999 1919 Email: enquiries@taggle.com.au



Product Datasheet

MRC-1

Elster V100 Compatible Transmitter



Taggle Systems Pty Ltd

Level 3, 189 Kent Street, Sydney, NSW 2000

Telephone: +61 2 8999 1919 Email: enquiries@taggle.com.au